

Safety Precautions

In regard with component parts appearing on the silk-screen printed side (parts side) of the PWB diagrams, the parts that are printed over with black such as the resistor (■), diode (▬) and ICP (●) or identified by the "△" mark nearby are critical for safety.

When replacing them, be sure to use the parts of the same type and rating as specified by the manufacturer.
(Except the J and C version)

Block diagrams

7

6

5

4

3

2

1

A

B

C

D

E

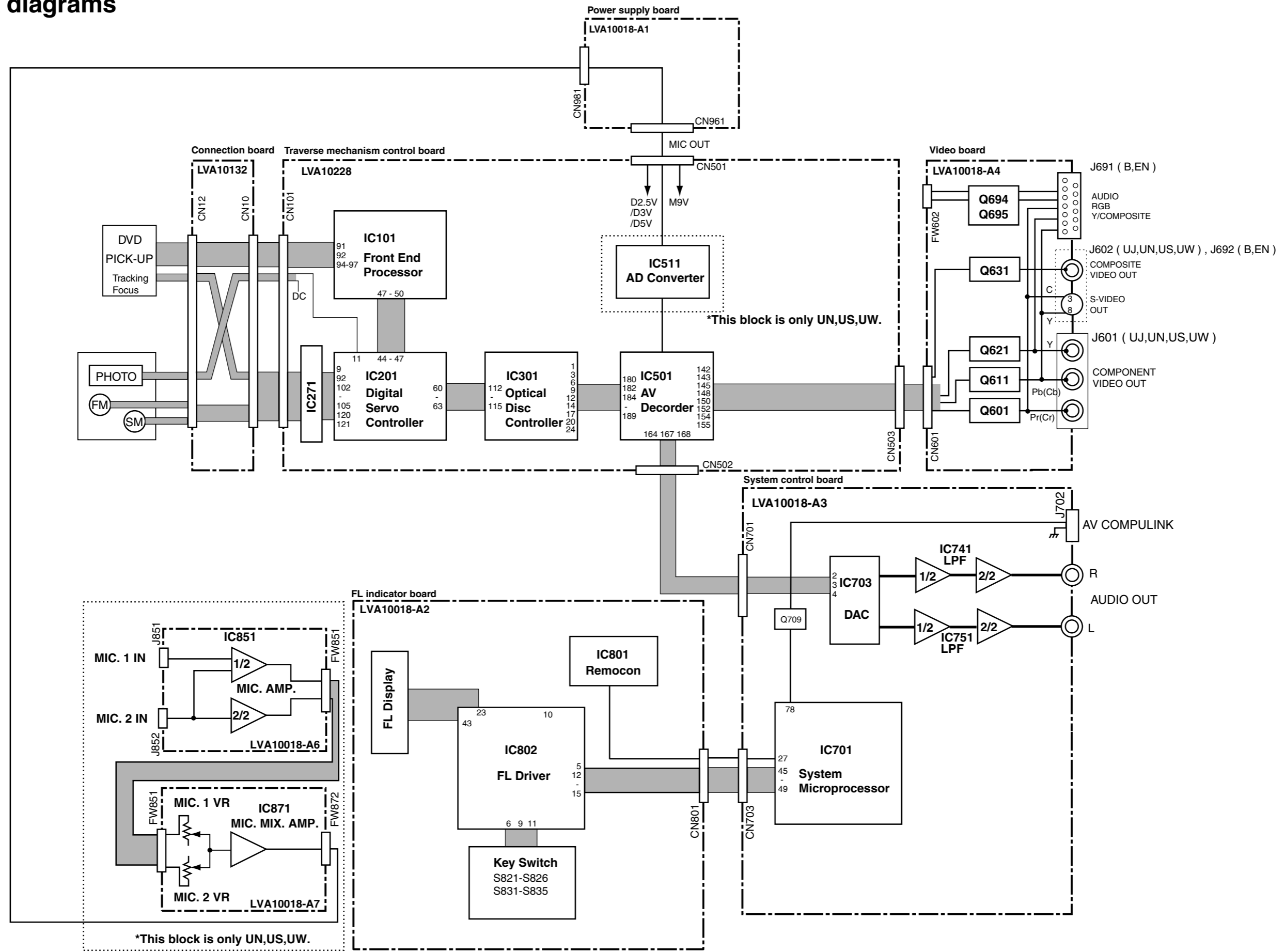
F

G

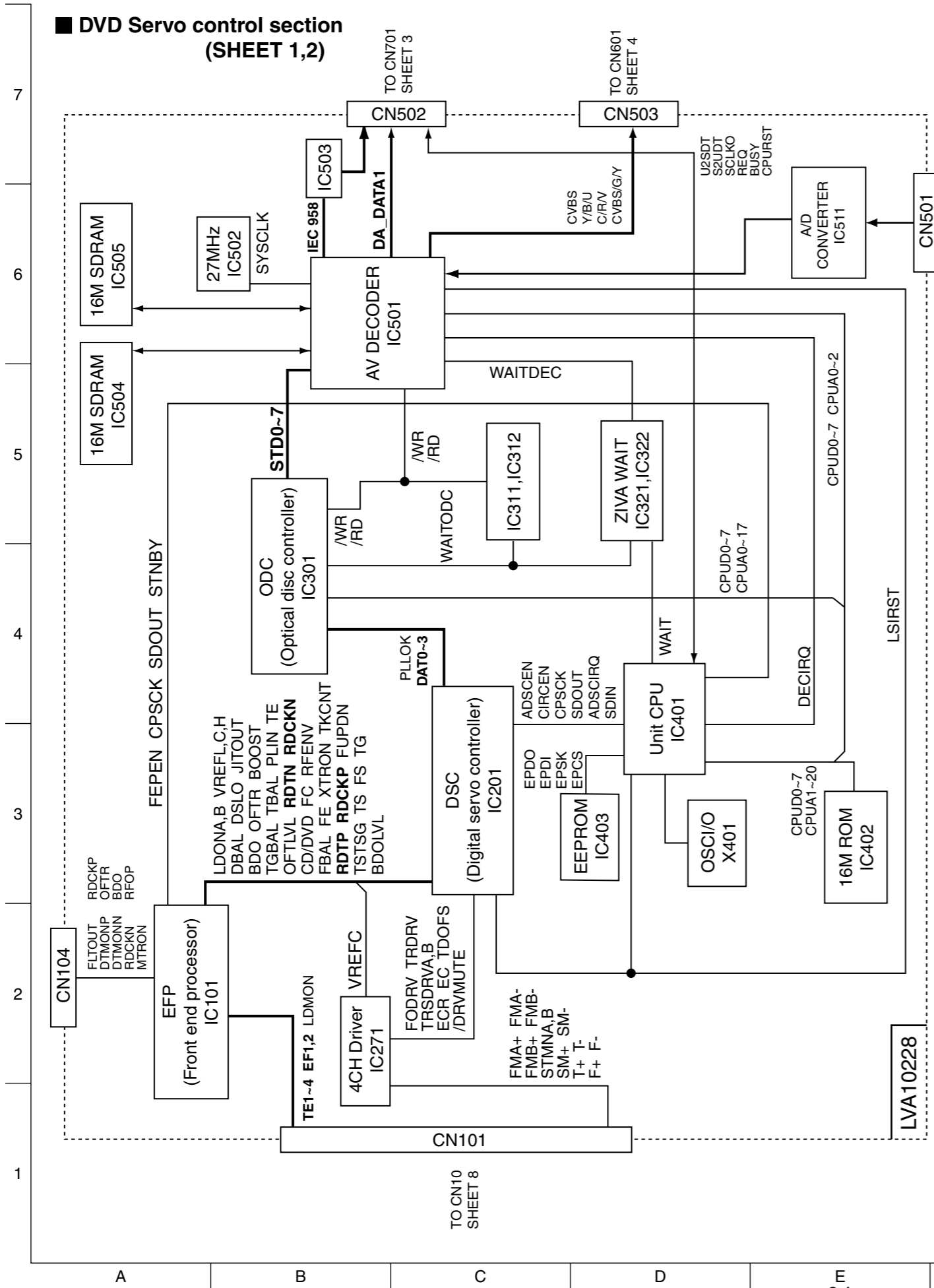
H

I

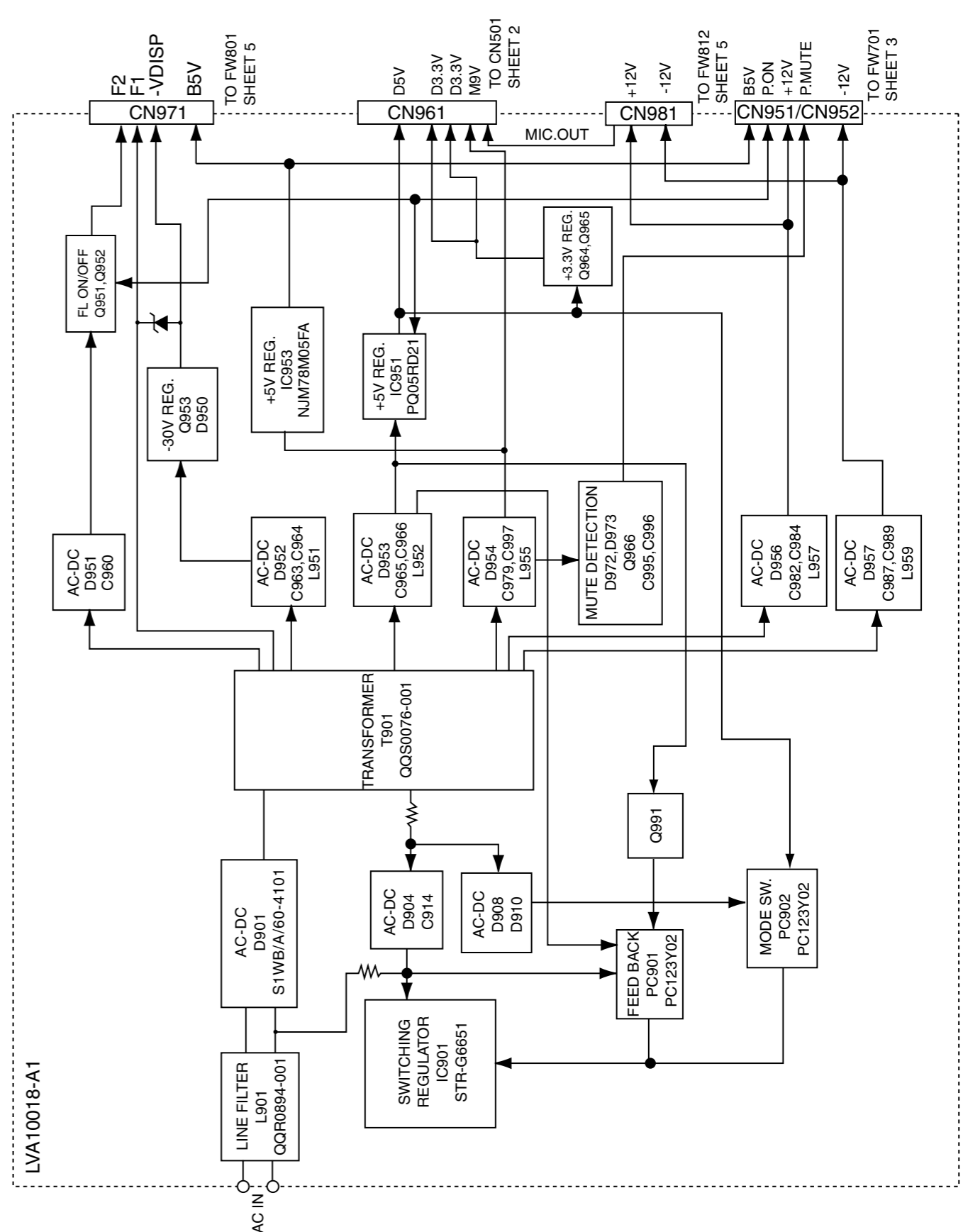
J



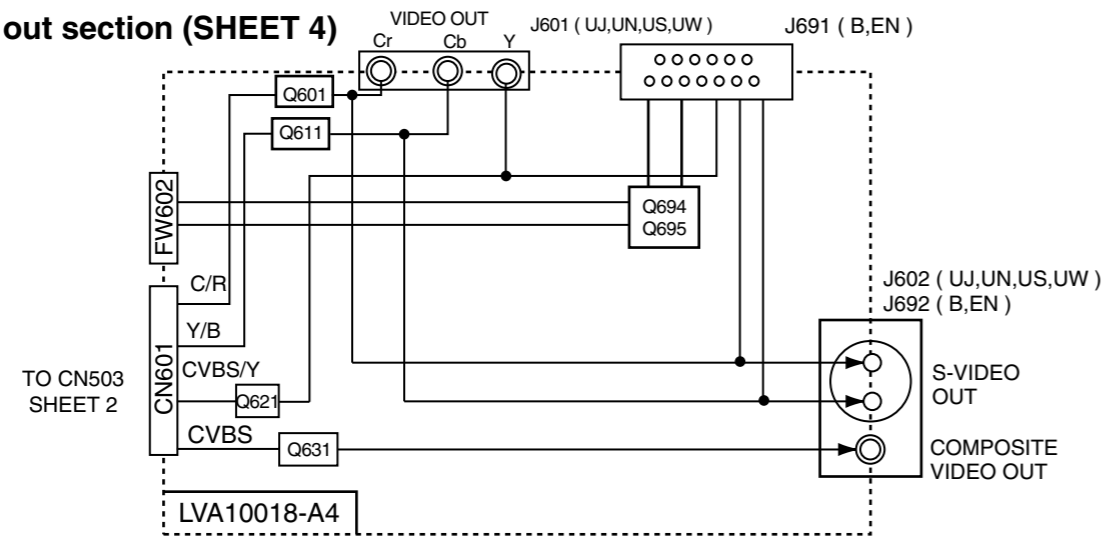
■ DVD Servo control section (SHEET 1,2)



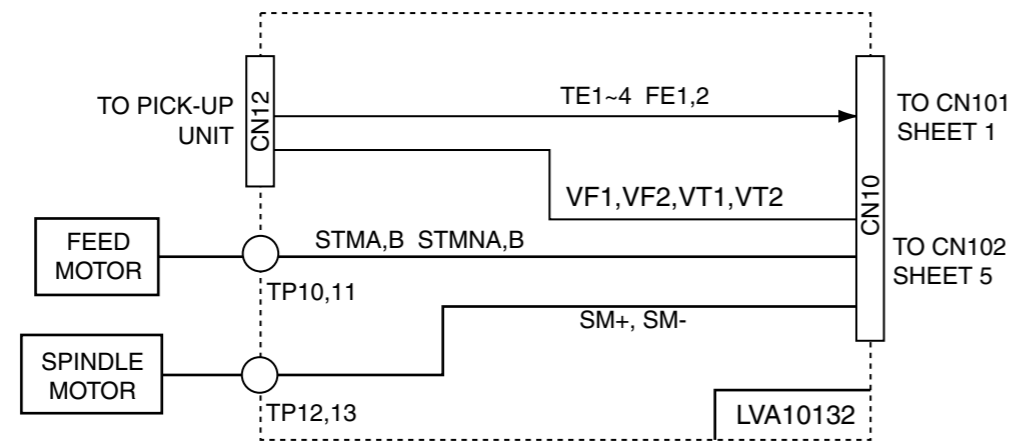
■ Power supply section (SHEET 6)



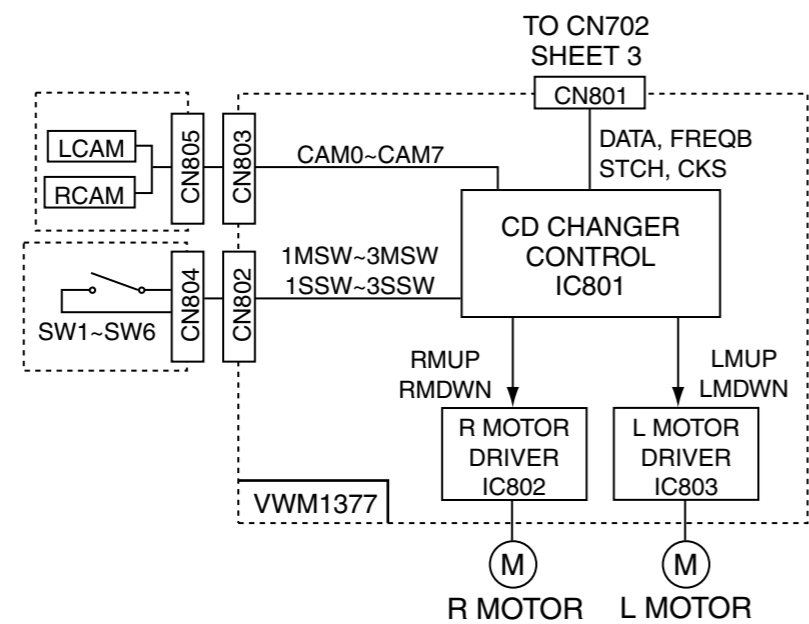
Video out section (SHEET 4)



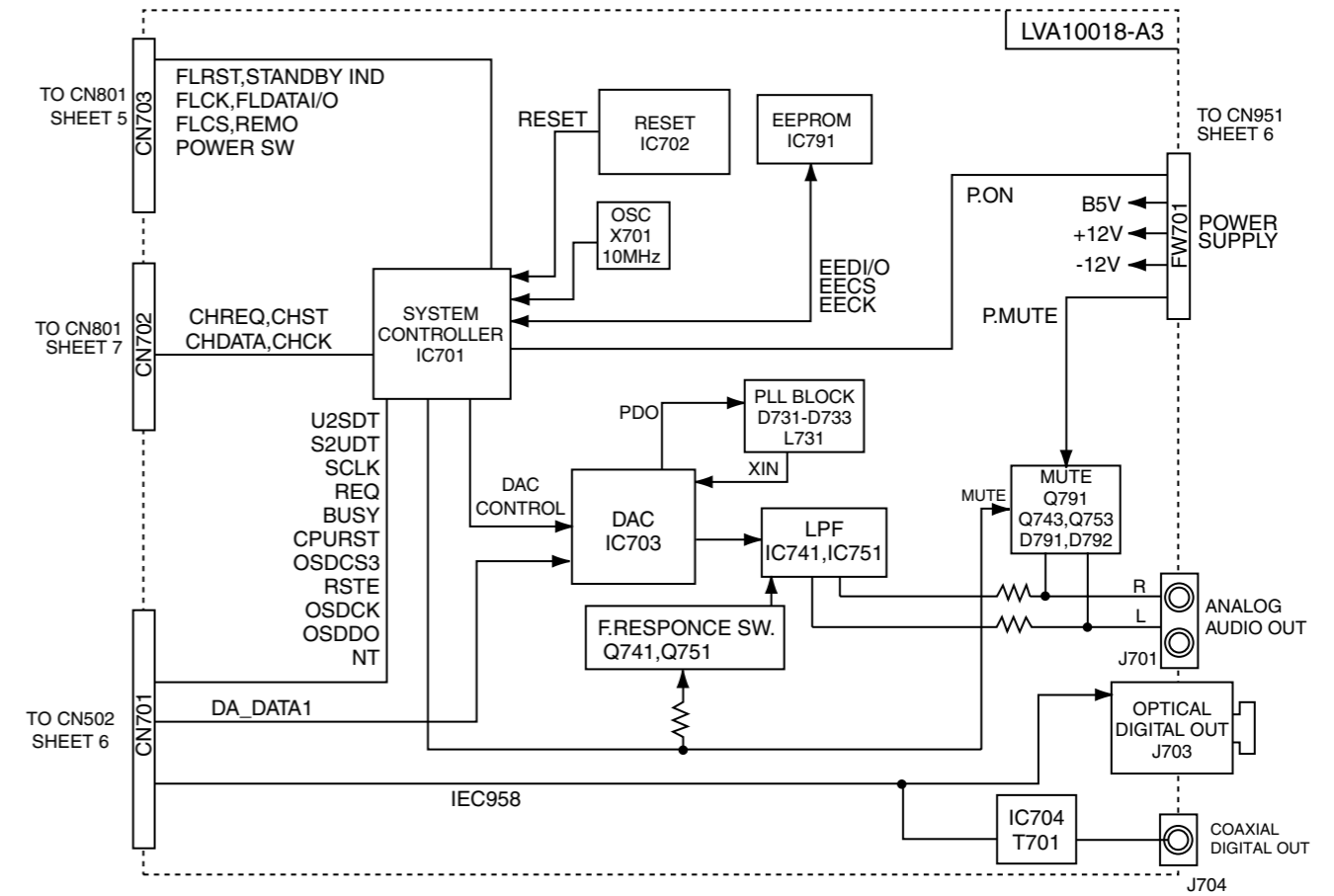
Connection to pick-up section (SHEET 8)



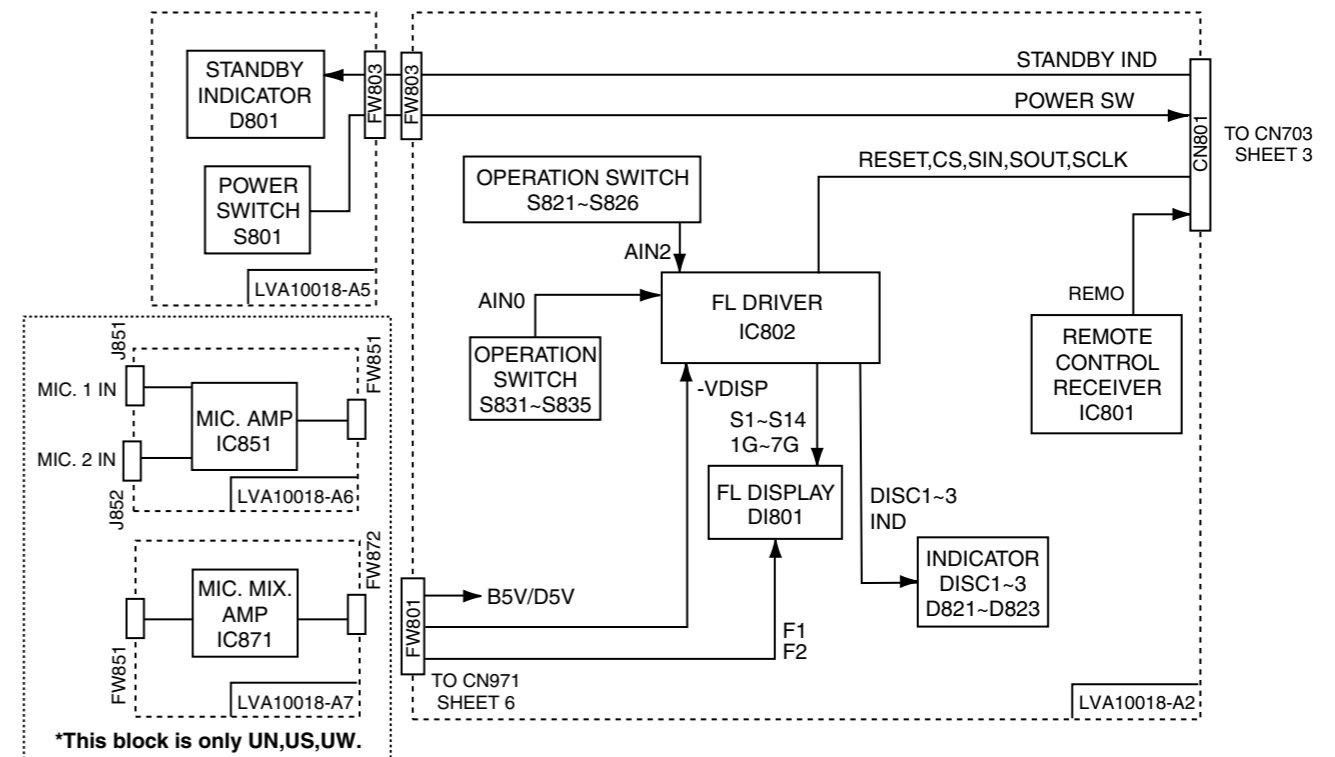
Changer mechanism control section (SHEET 7)



System control section (SHEET 3)



FL Driver section (SHEET 5)



Standard schematic diagrams

■ Servo control section (Sheet 1)

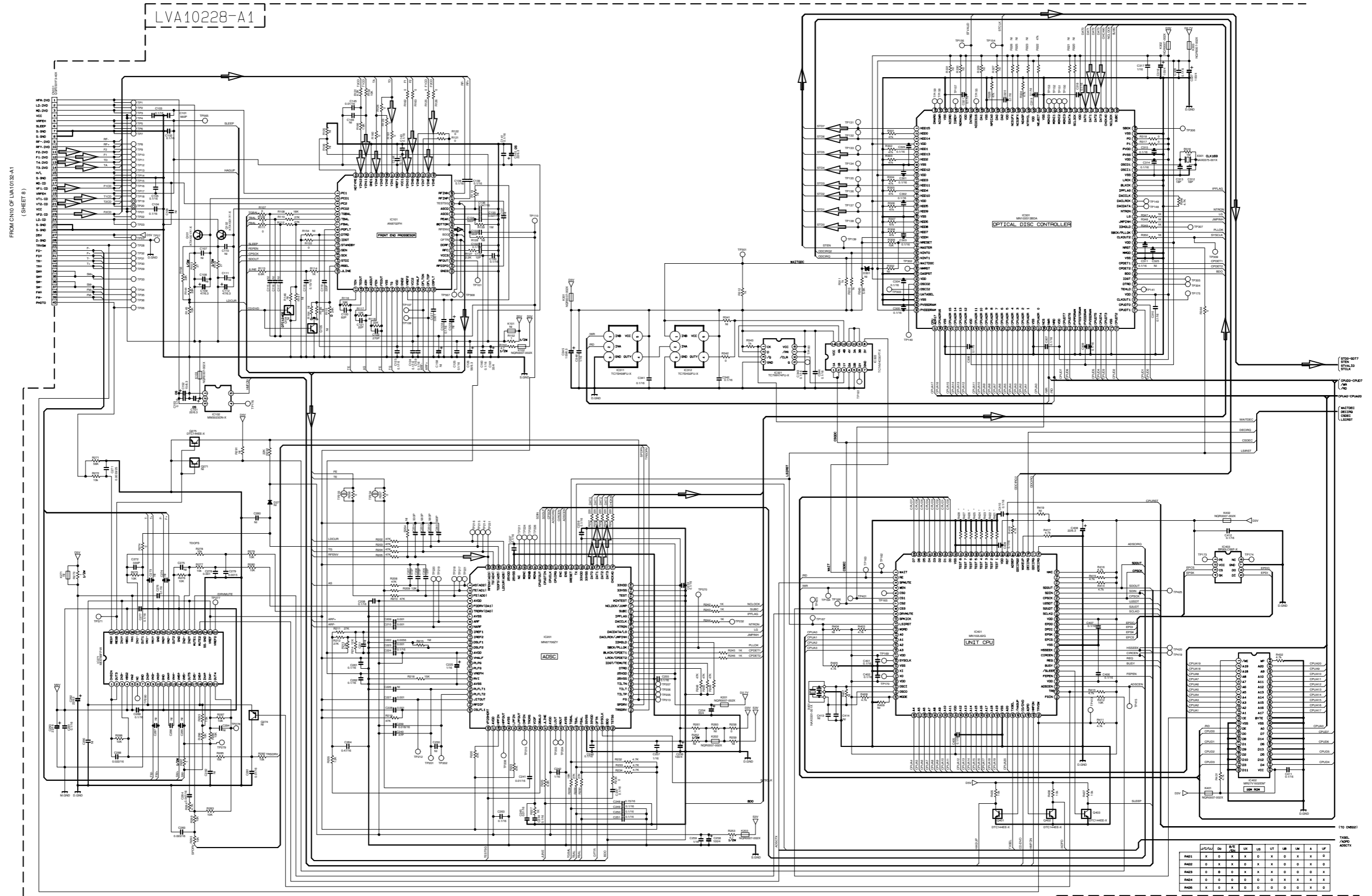
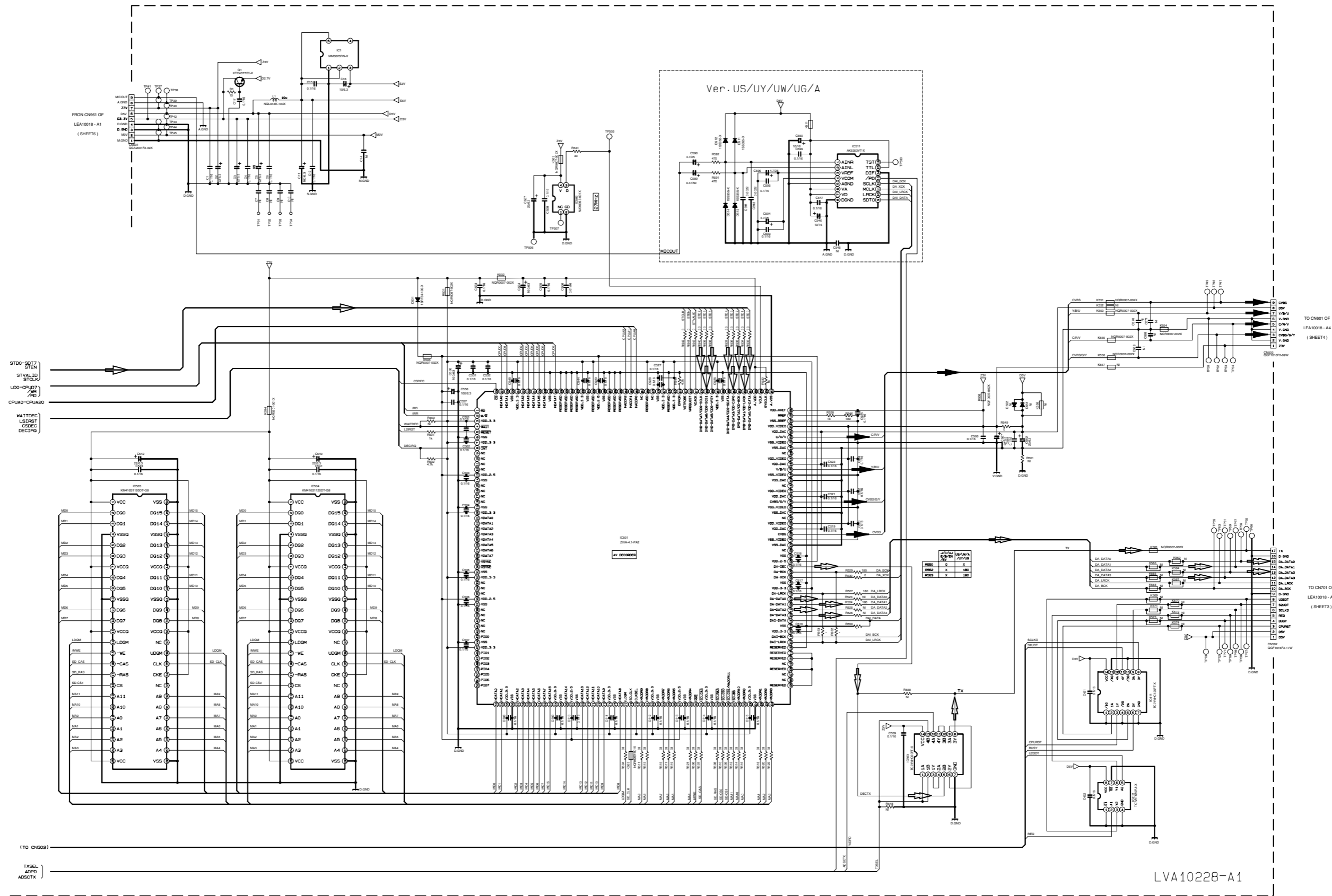


TABLE
PINNO
ASSIGN

	DATA	CS	R/W	LD	WE	ST	BM	LM	A	LP
RA01	X	0	X	X	0	X	0	X	X	0
RA02	0	X	0	0	X	0	X	0	X	0
RA03	0	0	0	X	X	0	0	0	0	X
RA04	0	0	0	0	0	0	X	X	X	X
RA05	X	0	X	0	0	0	0	0	0	X

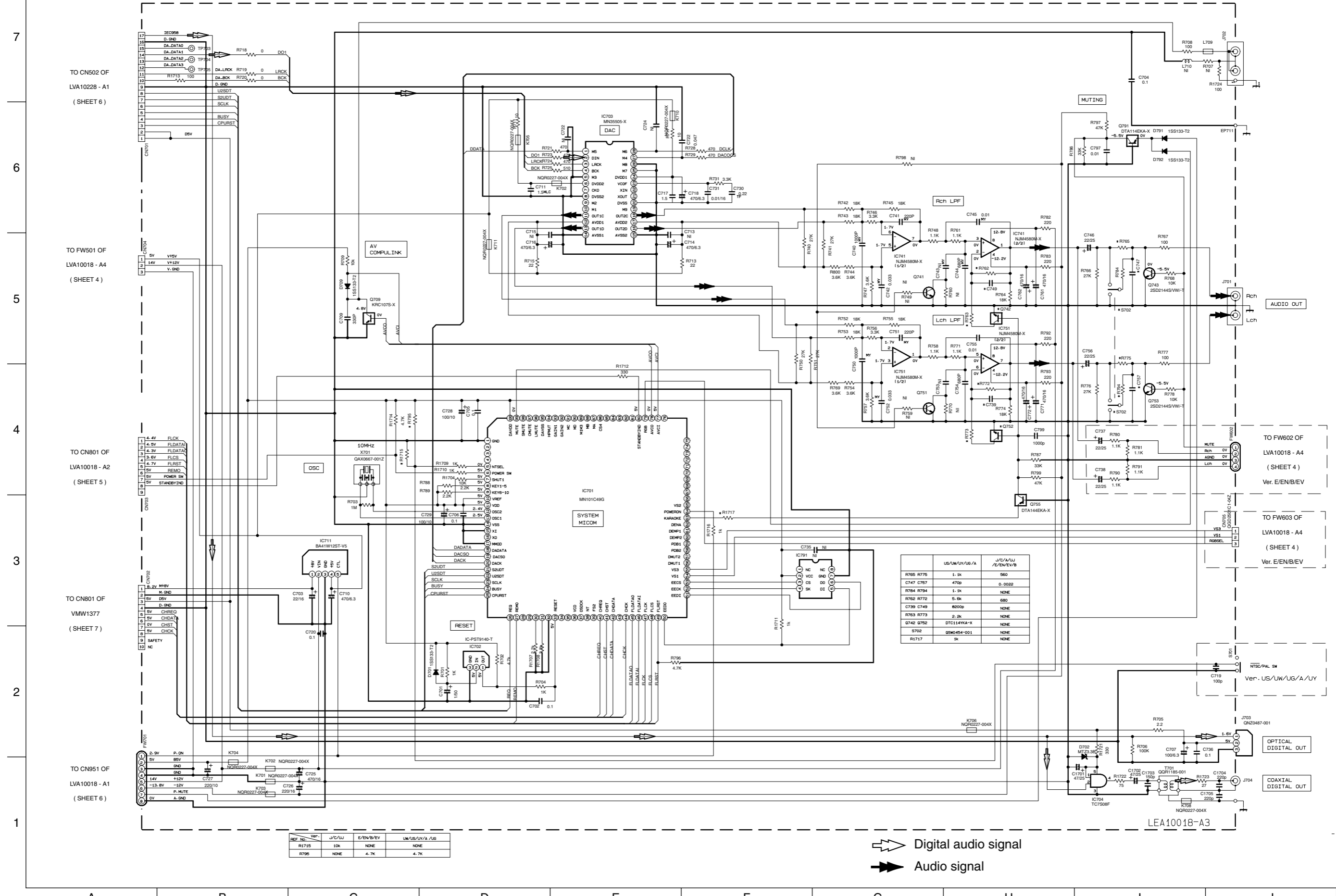
AV Decoder section (Sheet 2)



7
6
5
4
3
2
1

A B C D E F G H I J

■ System control section (Sheet 3)



TO CN502 OF LVA10228 - A1 (SHEET 6)

TO FW501 OF LVA10018 - A4 (SHEET 4)

TO CN801 OF LVA10018 - A2 (SHEET 5)

TO CN801 OF VMW1377 (SHEET 7)

TO CN951 OF LVA10018 - A1 (SHEET 6)

AUDIO OUT

TO FW602 OF LVA10018 - A4 (SHEET 4) Ver. E/EN/B/EV

TO FW603 OF LVA10018 - A4 (SHEET 4) Ver. E/EN/B/EV

NTSC/PAL SW Ver. US/UW/UG/A/U/Y

OPTICAL DIGITAL OUT

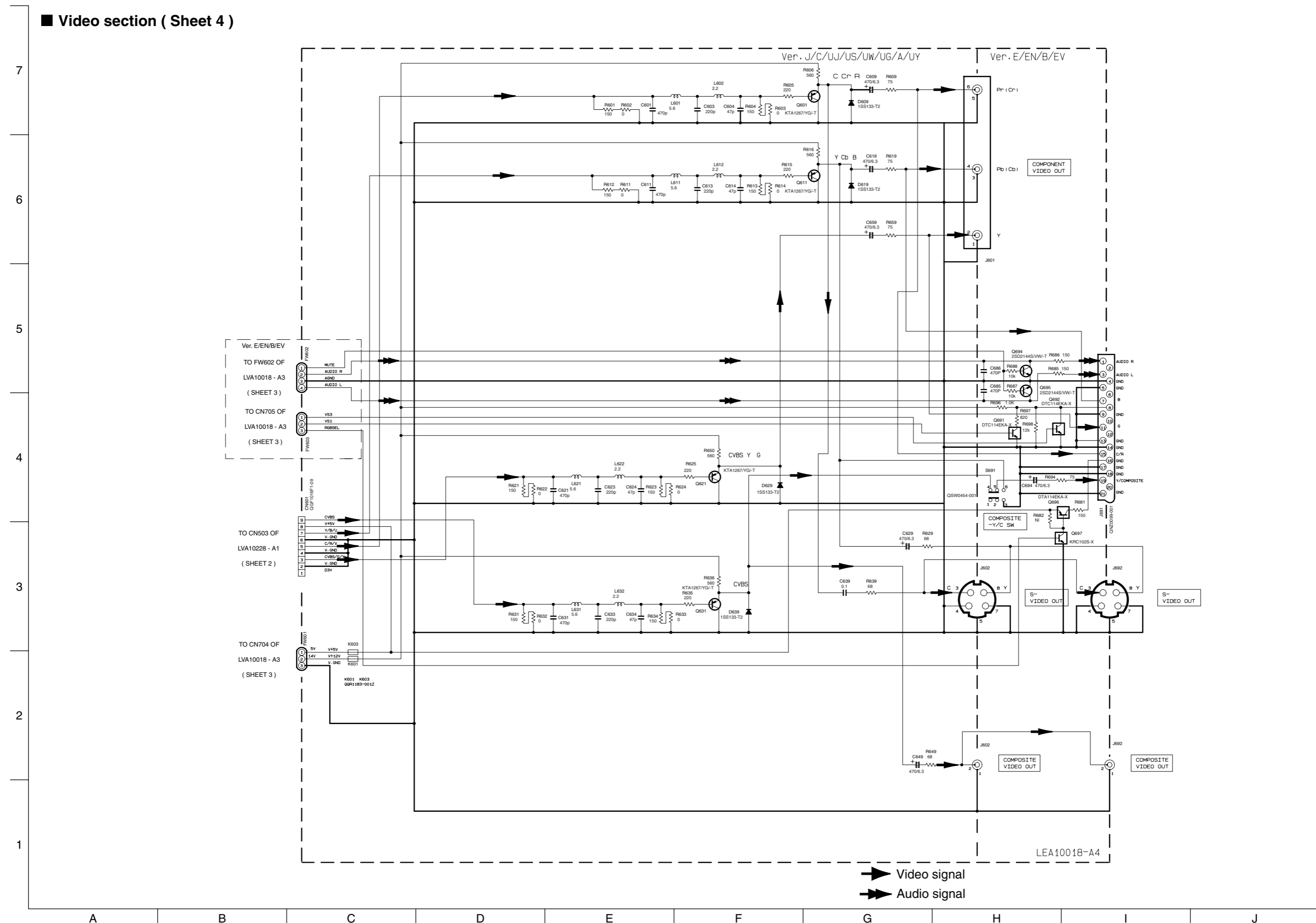
COAXIAL DIGITAL OUT

REF. NO.	Ver.	J/C/A/U/J	E/EN/B/EV	UW/US/UY/A /B
R765 R775		1.1k	560	
C747 C757		470p	0.0022	
R784 R794		1.1k	NONE	
R762 R772		5.6k	680	
C739 C749		8200p	NONE	
R763 R773		2.2k	NONE	
Q742 Q752		DTC1141KA-X	NONE	
S702		09M0454-001	NONE	
R717		1k	NONE	

REF. NO.	Ver.	J/C/A/U	E/EN/B/EV	UW/US/UY/A /B
R715		10k	NONE	NONE
R795		NONE	4.7k	4.7k

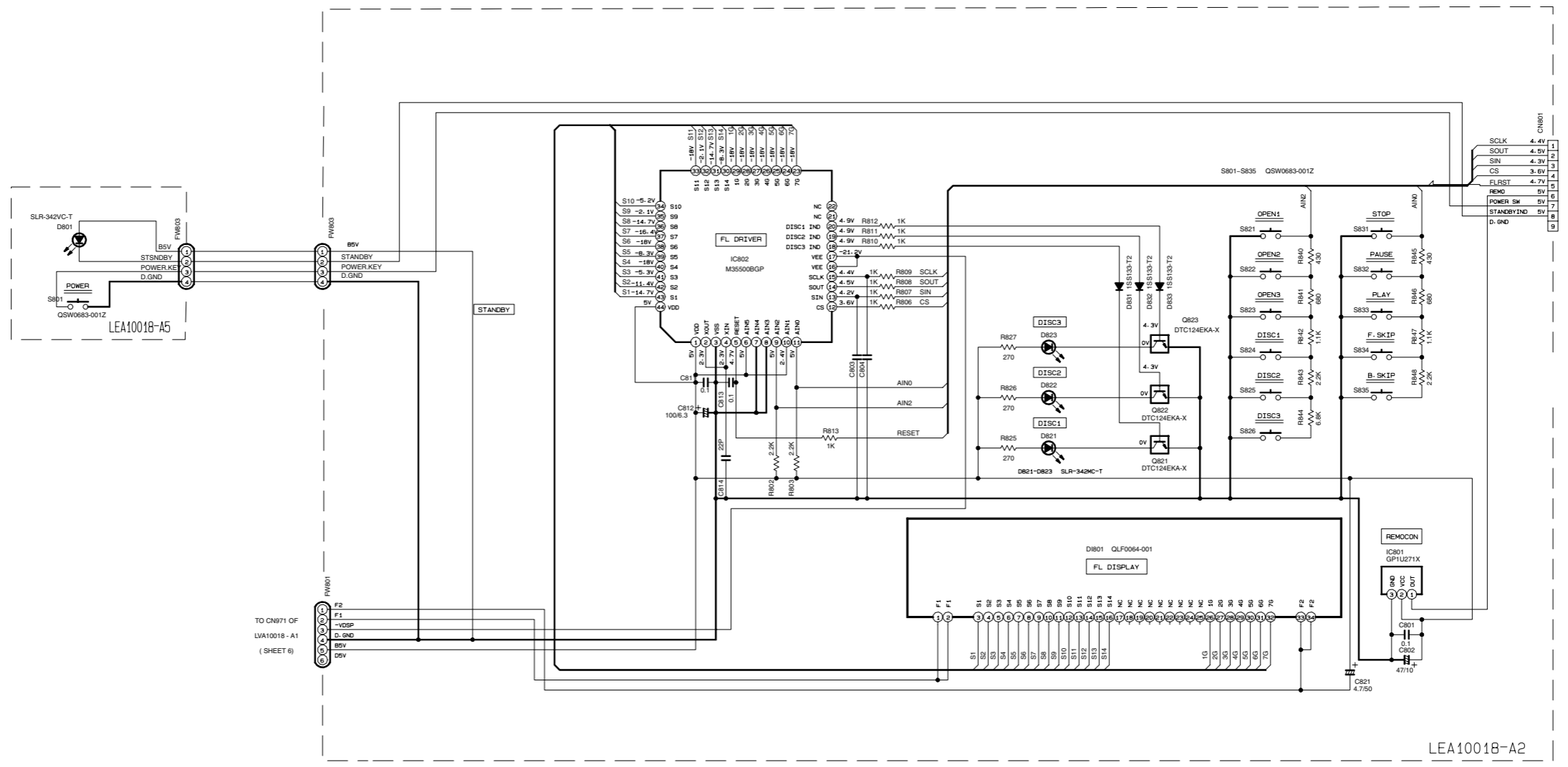
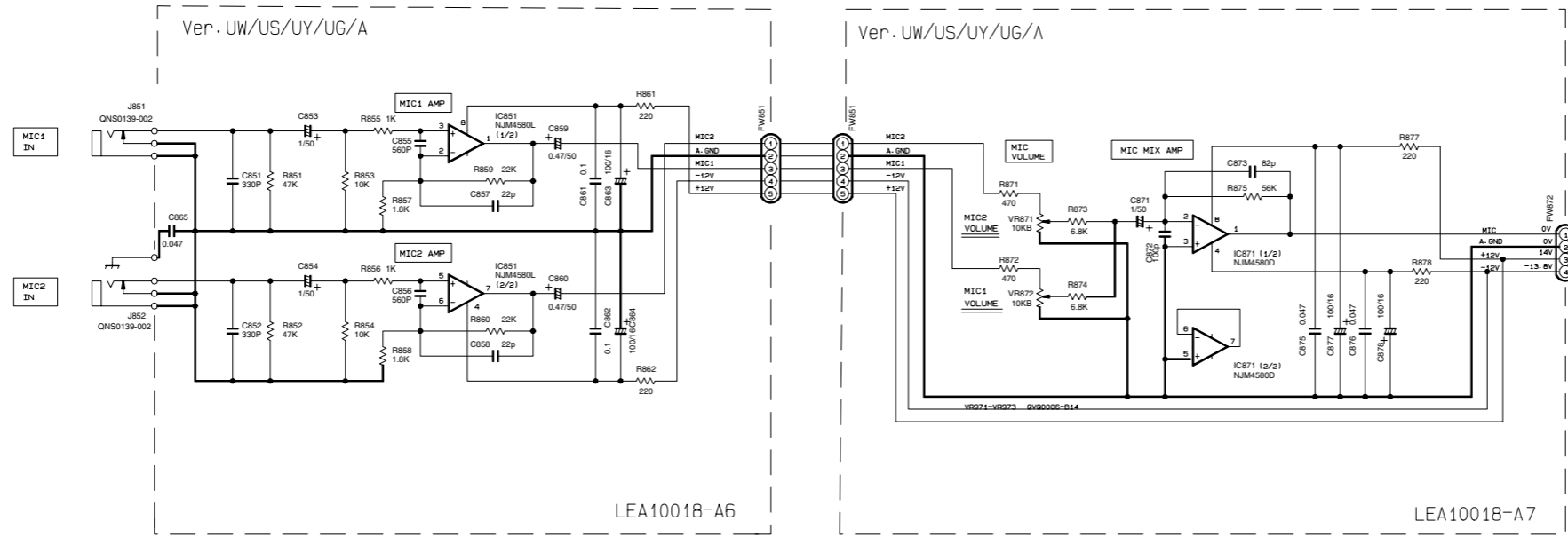
➡ Digital audio signal
 ➡ Audio signal

Video section (Sheet 4)



Front section (Sheet 5)

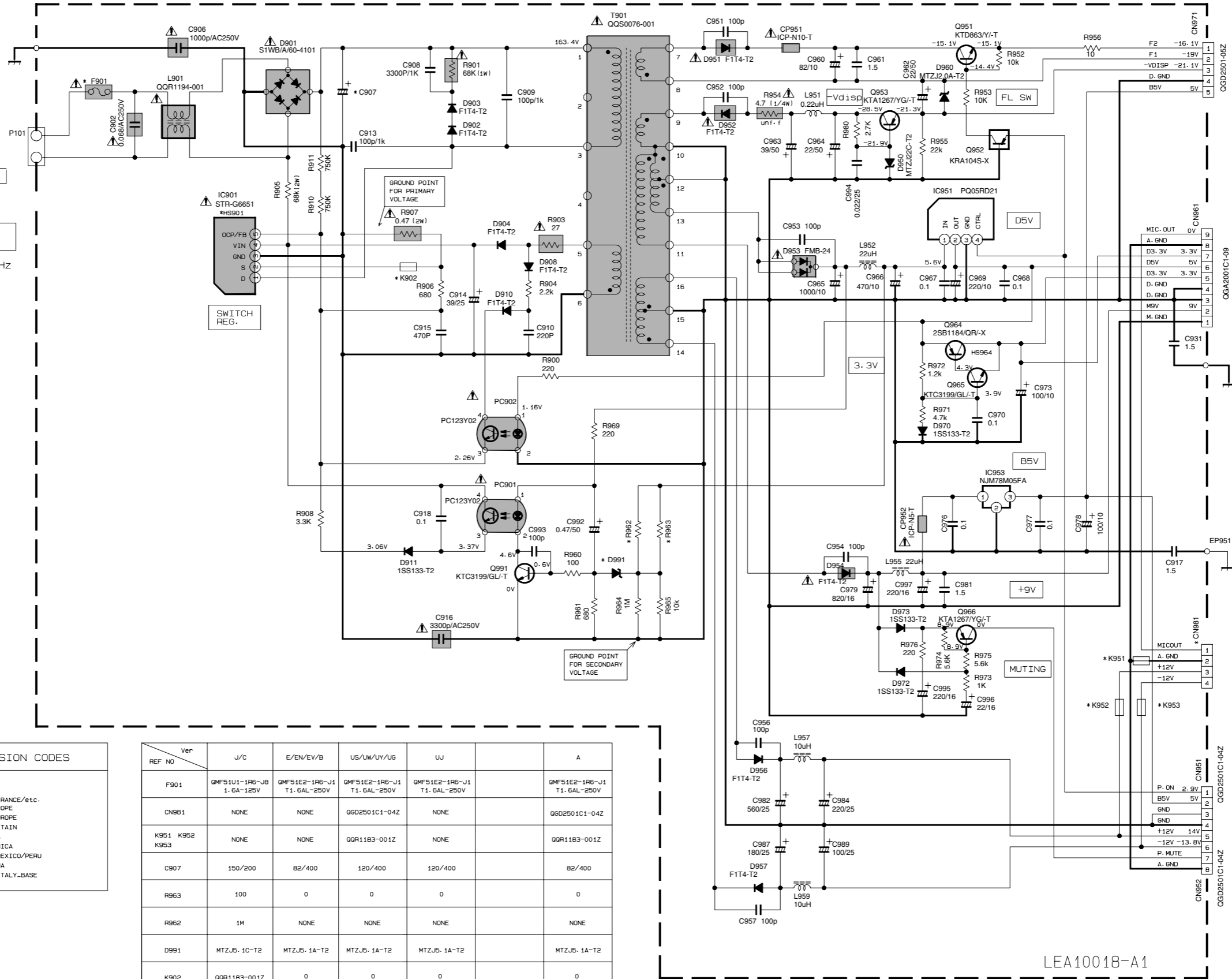
7
6
5
4
3
2
1



A B C D E F G H I J

Power supply section (Sheet 6)

- Ver. J/C
120V 60Hz
- Ver. E/EN/EV/B
230V 50Hz
- Ver. UJ/UW/US
/UG/UY
110~240V 50/60Hz
- Ver. A
240V 50Hz

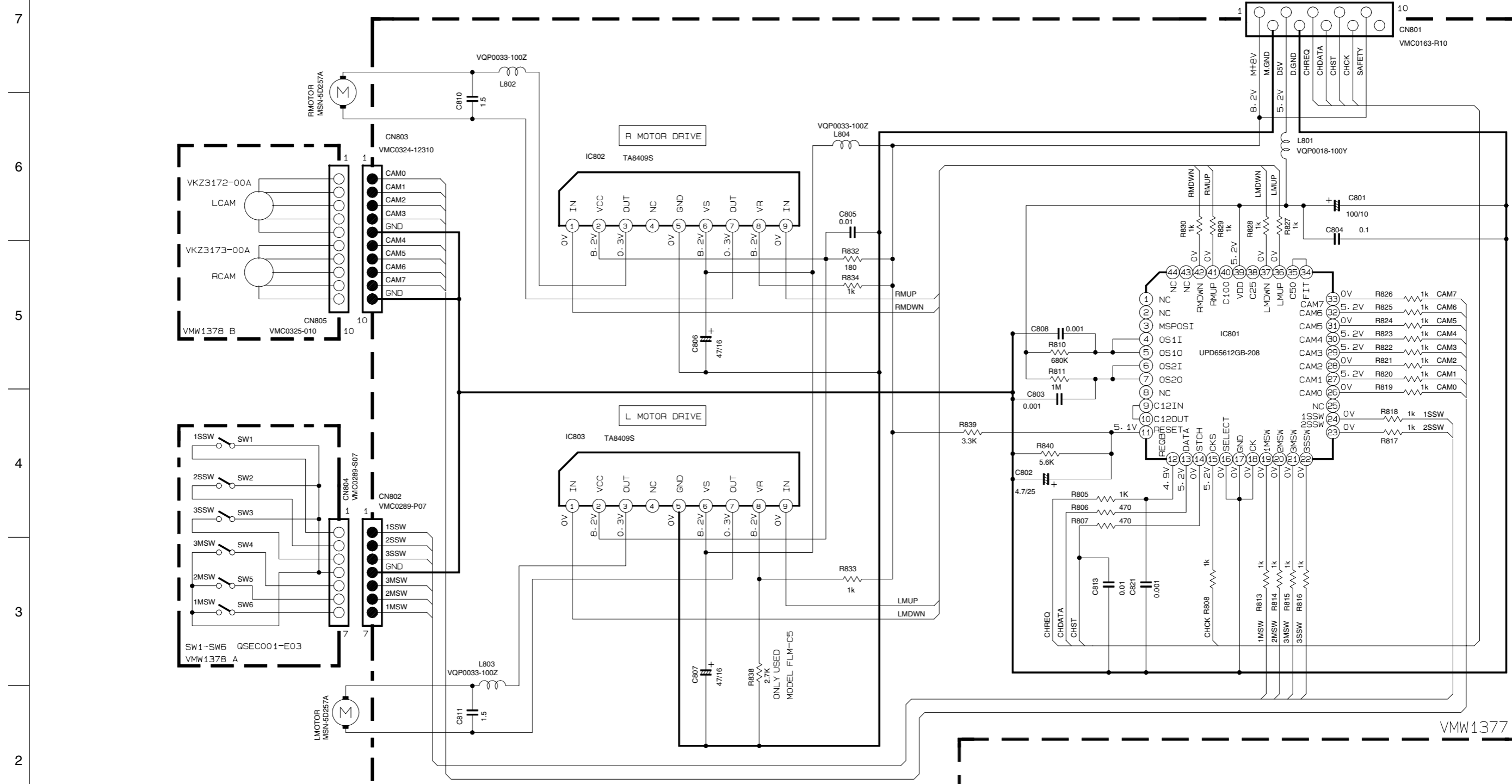


VERSION CODES	
J. USA	
C. CANADA	
E. GERMANY/FRANCE/etc.	
EV. EAST EUROPE	
EN. NORTH EUROPE	
B. GREAT BRITAIN	
A. AUSTRALIA	
US. ASIA/AFRICA	
UM. BRAZIL/MEXICO/PERU	
UY. ARGENTINA	
UJ. USA.MIL.ITALY-BASE	

Ver	J/C	E/EN/EV/B	US/UM/UY/UG	UJ	A
REF NO					
F901	QMFS1U1-1R6-JB 1.6A-125V	QMFS1E2-1R6-J1 T1.6AL-250V	QMFS1E2-1R6-J1 T1.6AL-250V	QMFS1E2-1R6-J1 T1.6AL-250V	QMFS1E2-1R6-J1 T1.6AL-250V
CN9B1	NONE	NONE	GGD2501C1-04Z	NONE	GGD2501C1-04Z
K951 K952 K953	NONE	NONE	GGR11B3-001Z	NONE	GGR11B3-001Z
C907	150/200	82/400	120/400	120/400	82/400
R963	100	0	0	0	0
R962	1M	NONE	NONE	NONE	NONE
D991	MTZJ5.1C-T2	MTZJ5.1A-T2	MTZJ5.1A-T2	MTZJ5.1A-T2	MTZJ5.1A-T2
K902	QQR11B3-001Z	0	0	0	0
HS901	NONE	E70306-002	E70306-002	E70306-002	E70306-002

▲ Parts are safety assurance parts.
When replacing those parts make
sure to use the specified one.

■ Mechanism control section (Sheet 7)



TO CN702 OF
LVA10018 - A3
(SHEET 3)

7
6
5
4
3
2

TABLE 1 CAM PATTERN LIST

CAM NO.	LCAM			RCAM			POSITION		
	0	1	2	3	4	5		6	7
MAIN TRAY1	0	1	1	1	0	1	1	0	EMERGENCY
SUB TRAY1	0	0	1	1	0	1	1	0	TRAY1 STAND-BY
CAMR 1	0	1	0	1	0	1	0	1	TRAY1 CHACKING
MAIN TRAY2	1	0	0	1	0	1	0	1	TRAY2 STAND-BY
SUB TRAY2	1	1	1	0	0	0	1	1	TRAY2 CHACKING
CAMR 2	1	0	1	0	0	1	0	1	TRAY3 STAND-BY
MAIN TRAY3	1	1	0	0	0	0	0	1	TRAY3 CHACKING
SUB TRAY3	1	0	0	0	0	0	0	0	
OFF	1	1	1	1	0	1	1	1	OFF

0=0V
1=5V

NOTES

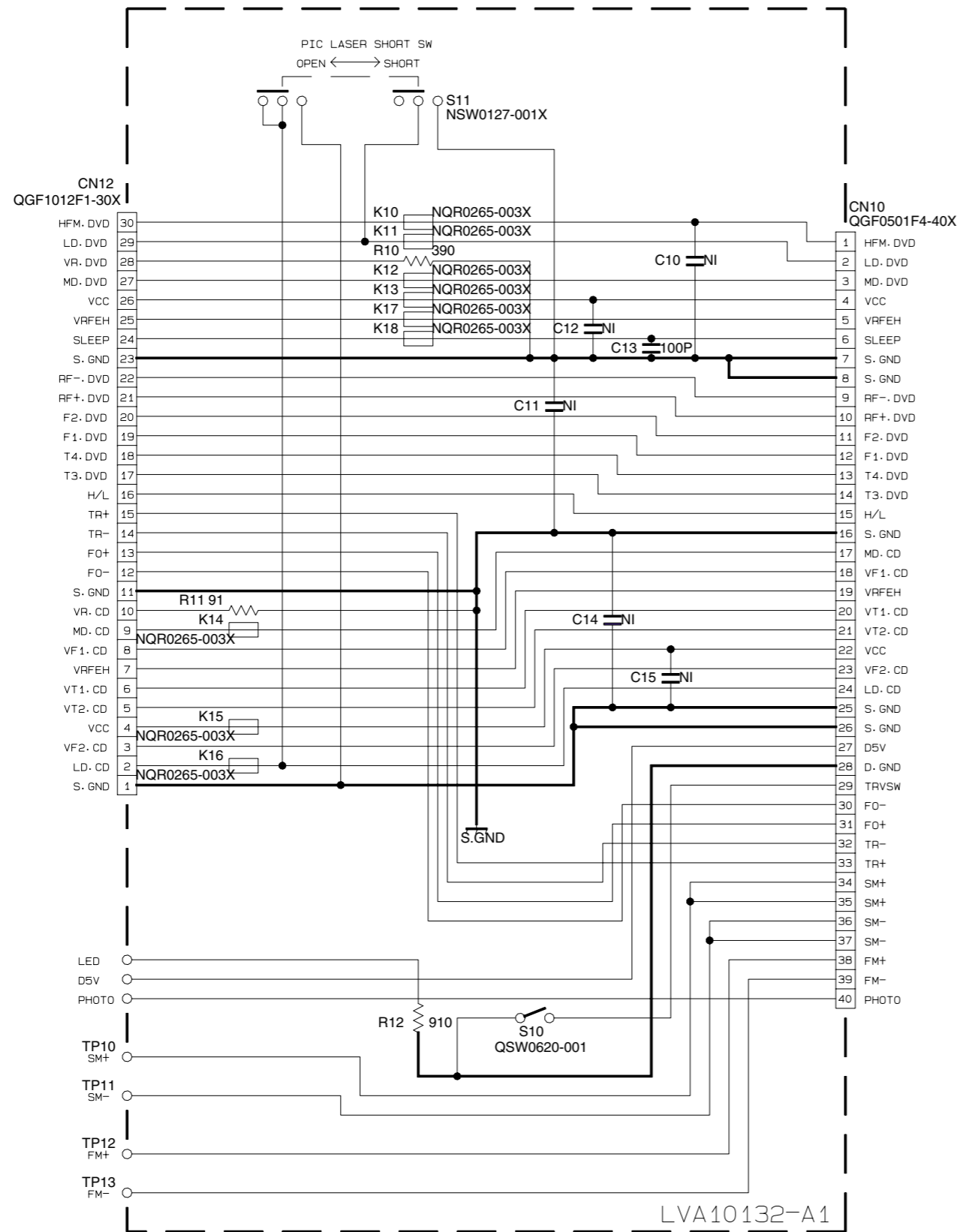
- VOLTAGES ARE DC-MEASURED WITH A DIGITAL VOLT METER OR OSCILLOSCOPE WITHOUT INPUT SIGNAL.
CONDITION --- DISC 1 CD STOP MODE.
- UNLESS OTHERWISE SPECIFIED, RESISTORS ARE 1/6W ±5% CARBON RESISTOR. ALL RESISTANCE VALUES ARE IN OHM(Ω). ALL CAPACITORS ARE CERAMIC CAPACITOR OR MYLAR CAPACITOR. ALL CAPACITANCE VALUES ARE IN μF (P=pF). ALL INDUCTANCE VALUES ARE IN #H(m=mH). ALL E-CAPACITORS ARE SHOWN IN THE FORM OF CAPACITANCE (μF)/RATED VOLTAGE (V).

- Ⓤ UNFLAMMABLE CARBON RESISTOR
- Ⓜ METAL FILM RESISTOR
- Ⓞ OXIDE METAL FILM RESISTOR
- Ⓛ ±20% LOW LEAK CURRENT ELECTROLYTIC CAPACITOR
- Ⓝ NON-POLARISED ELECTROLYTIC CAPACITOR
- Ⓟ POLYPROPYLENE CAPACITOR
- Ⓢ POLYSTYROL CAPACITOR

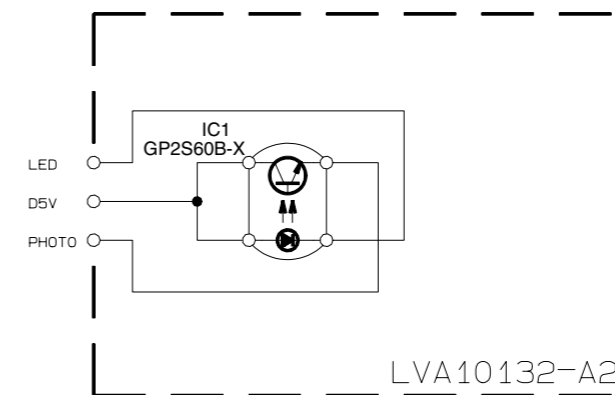
VMW1377

■ Connect section (Sheet 8)

7
6
5
4
3
2
1



TO CN101 OF
LVA10228 - A1
(SHEET 1)



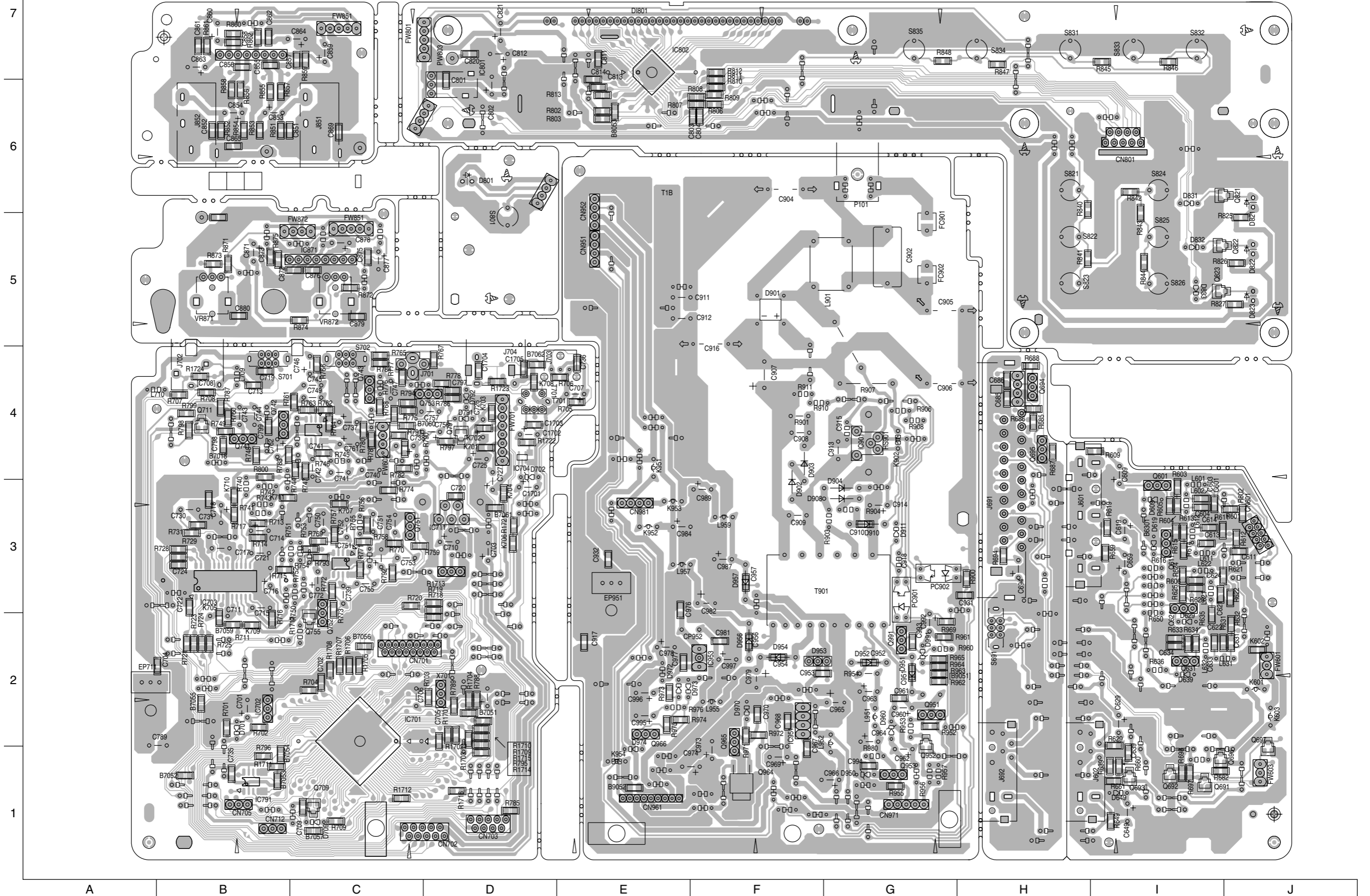
NOTES

- UNLESS OTHERWISE SPECIFIED.
ALL RESISTORS ARE 1/6W ± 5% CARBON RESISTOR.
ALL CAPACITORS ARE 50V CERAMIC CAPACITOR.
ALL RESISTANCE VALUES ARE IN OHM(Ω).
ALL CAPACITANCE VALUES ARE IN #F(P=pF).

A B C D E F G H I J

Printed circuit boards

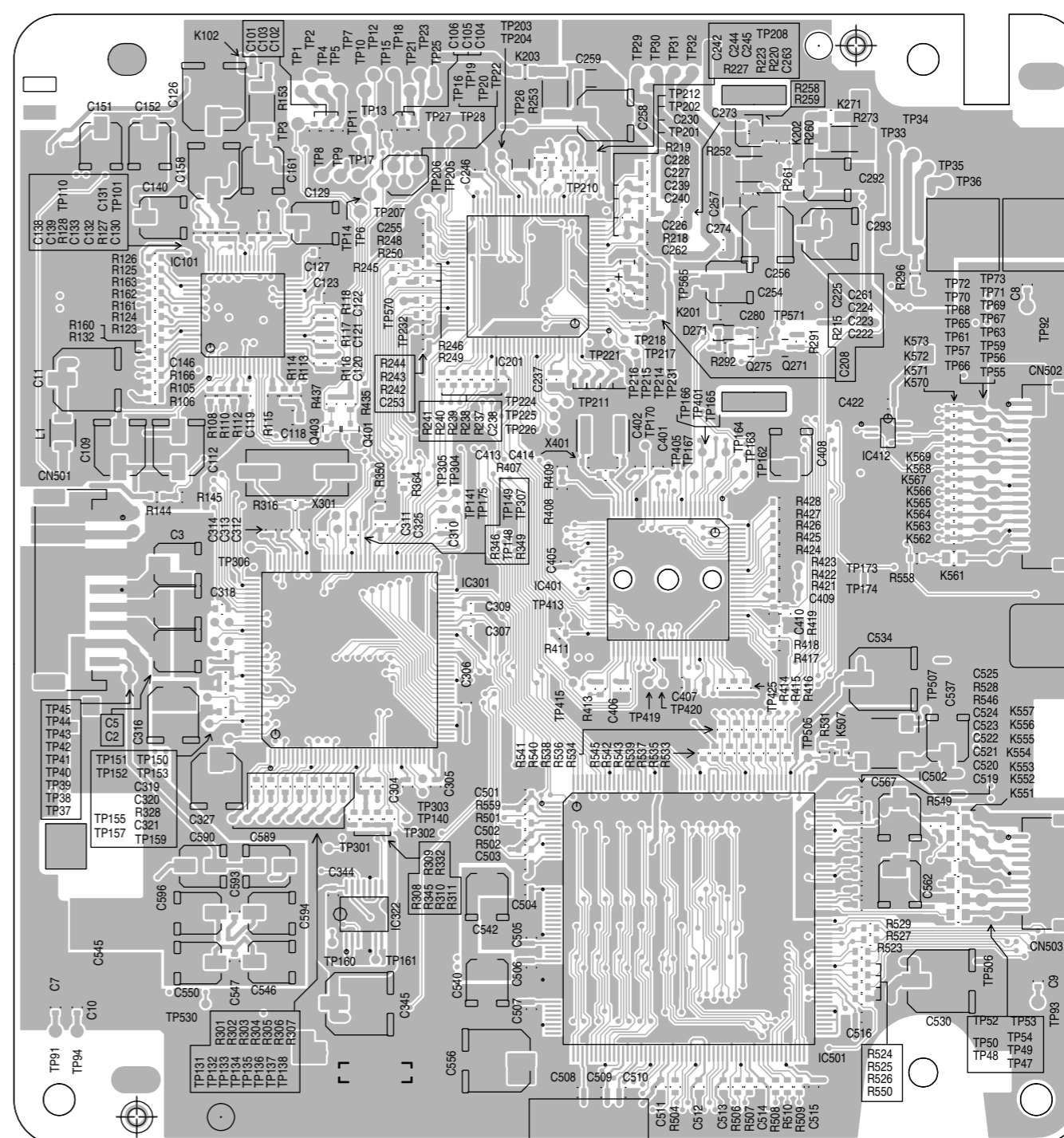
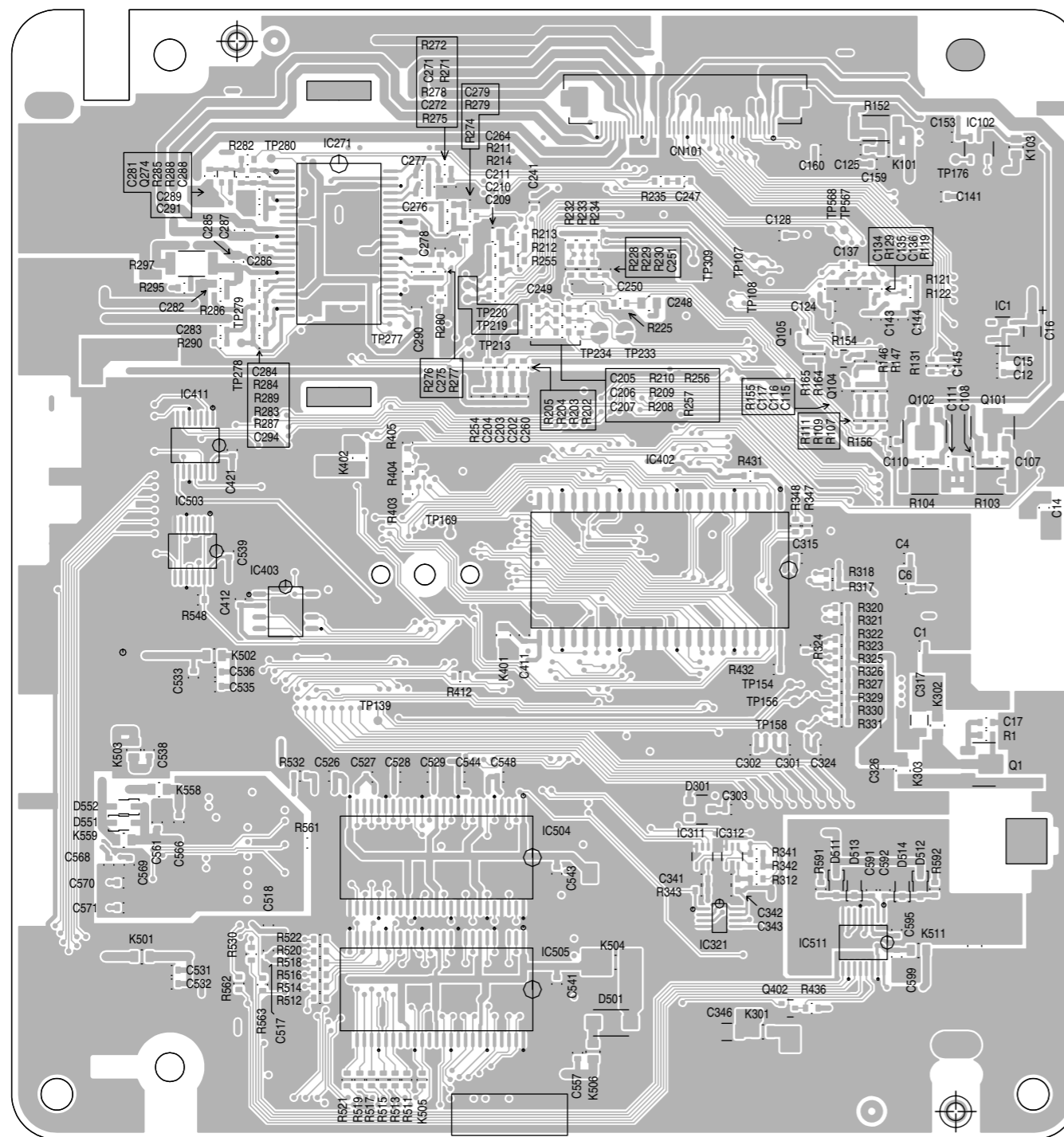
■ Main board



■ Servo control board

Side A

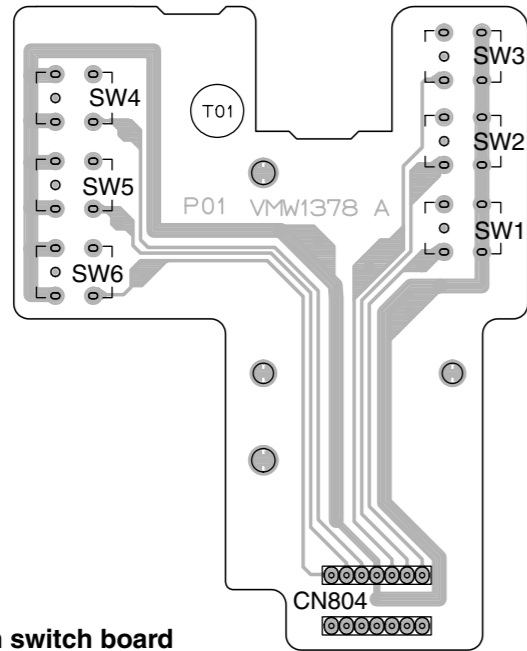
Side B



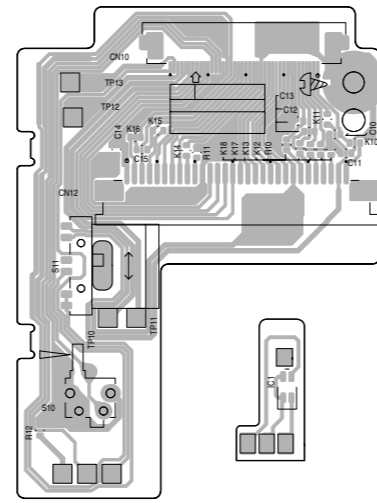
A B C D E F G H I J

■ CD Changer mechanism switch board Block No. 0 3

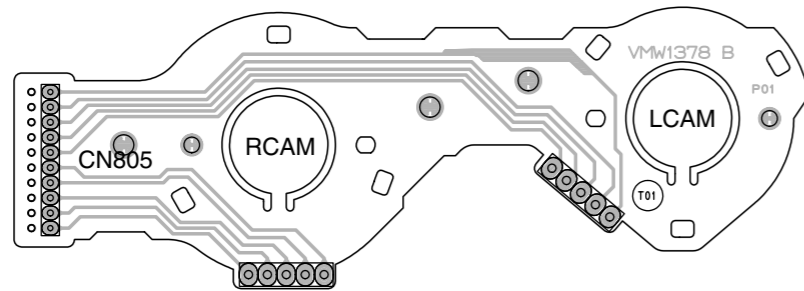
CD Tray switch board



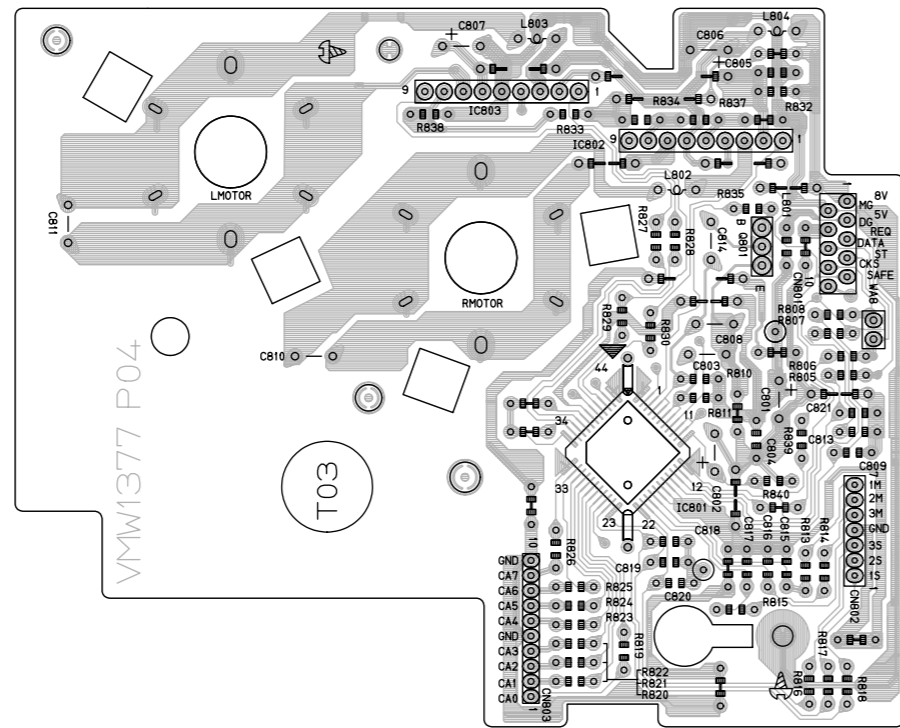
■ Connection board Block No. 0 5



Cam switch board



■ Mechanism control board Block No. 0 4



7
6
5
4
3
2
1

A B C D E F G H I J

— MEMO —